

Build Your Own Topbar Beehive The BackYardHive.com Way



Plans Courtesy of: www.BackYardHive.com

The BackYardHive.com Mission:

At BackYardHive.com, we are committed to information and hive technologies that encourage and enable hobby beekeepers to be successful.



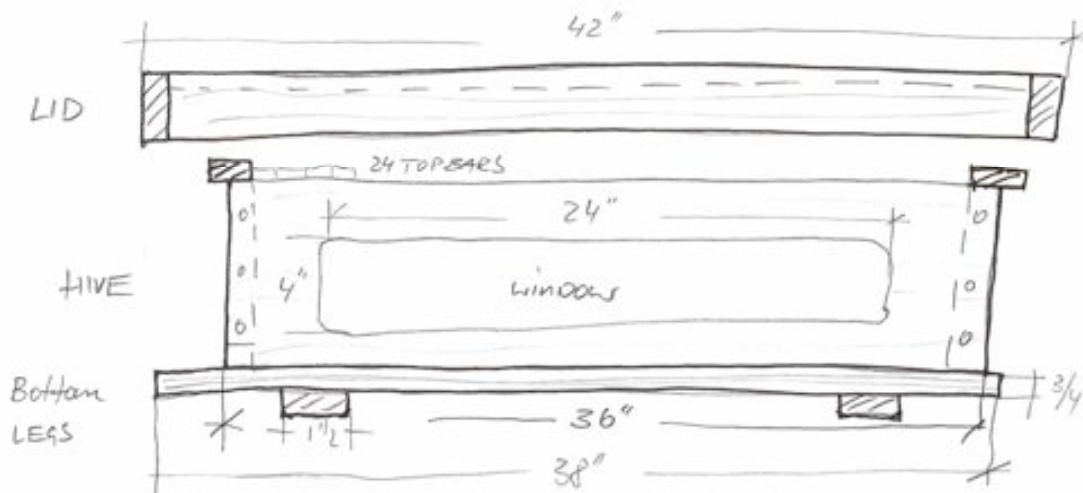
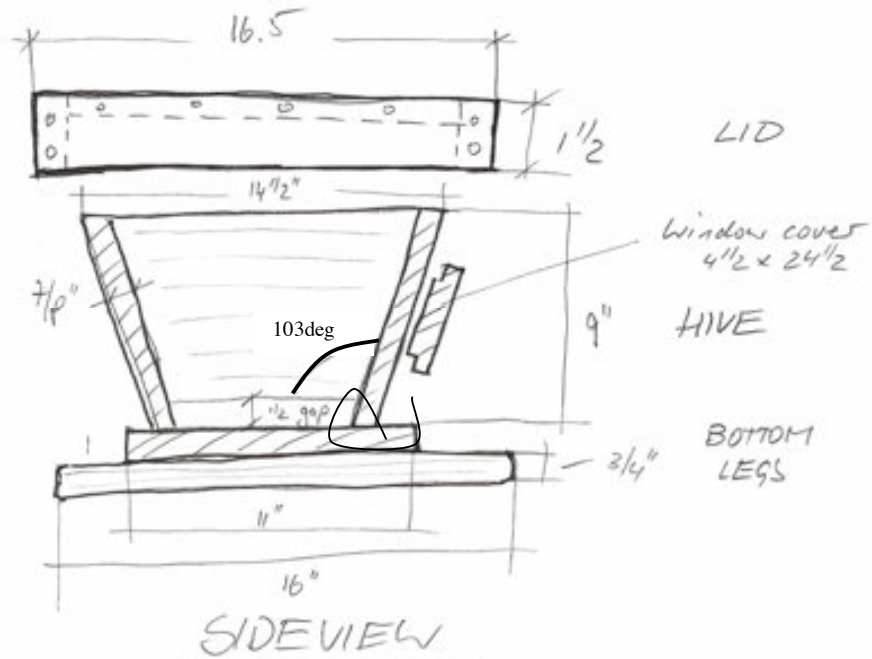
Our primary focus is on improving bee ecology and beekeeping methods that respect the honeybee. Our hope is that by introducing new hobby beekeepers to the rewards of beekeeping that there will eventually be backyard beekeepers world wide that will help bring back the feral bee population and improve the genetic diversity of the honeybees. This diversity is critically important to the survival of this most precious natural resource.

Thank you for being a part of the solution and being a part of the growing community of backyard beekeepers we are helping to create at BackYardHive.com.

We are happy to answer any questions you may have. Just visit www.BackYardHive.com and if you don't find your answer there, please ask.

Note: These specifications provide the measurements, materials, and a rough assembly guide for our version of the topbar hive design. One of the most challenging parts of building a hive this way is constructing the top bars. For this reason, we sell pre-built top bars on our website. Please visit www.BackYardHive.com for more information.

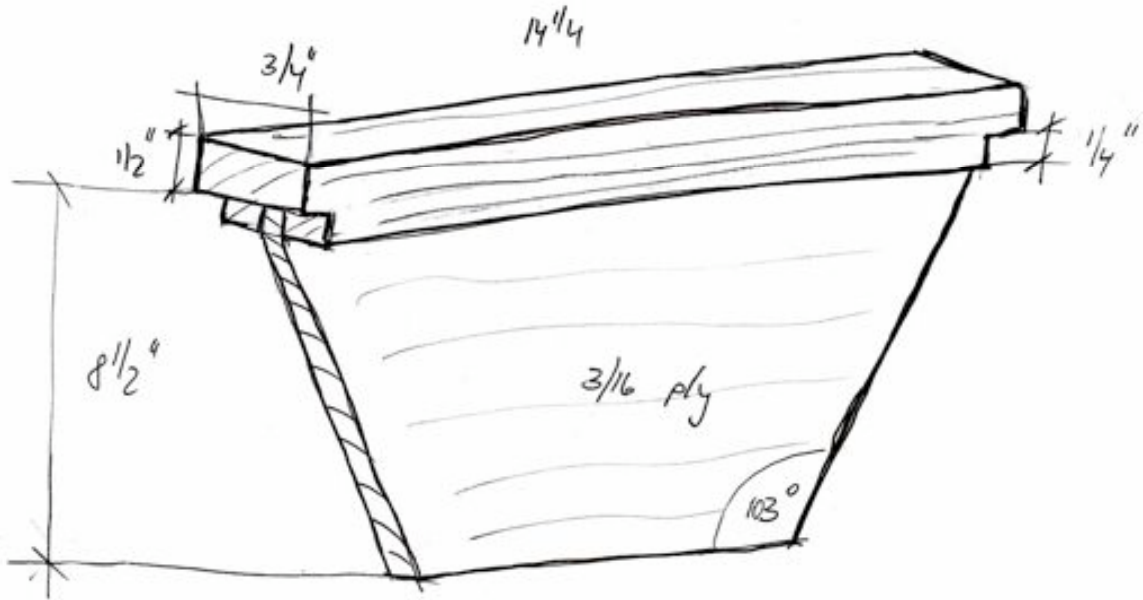
BACKYARD BEEHIVE FRONT VIEW



by Four Elements Design
Carlos Steghe

BACKYARDHIVE

FALSE BACK TOP BAR

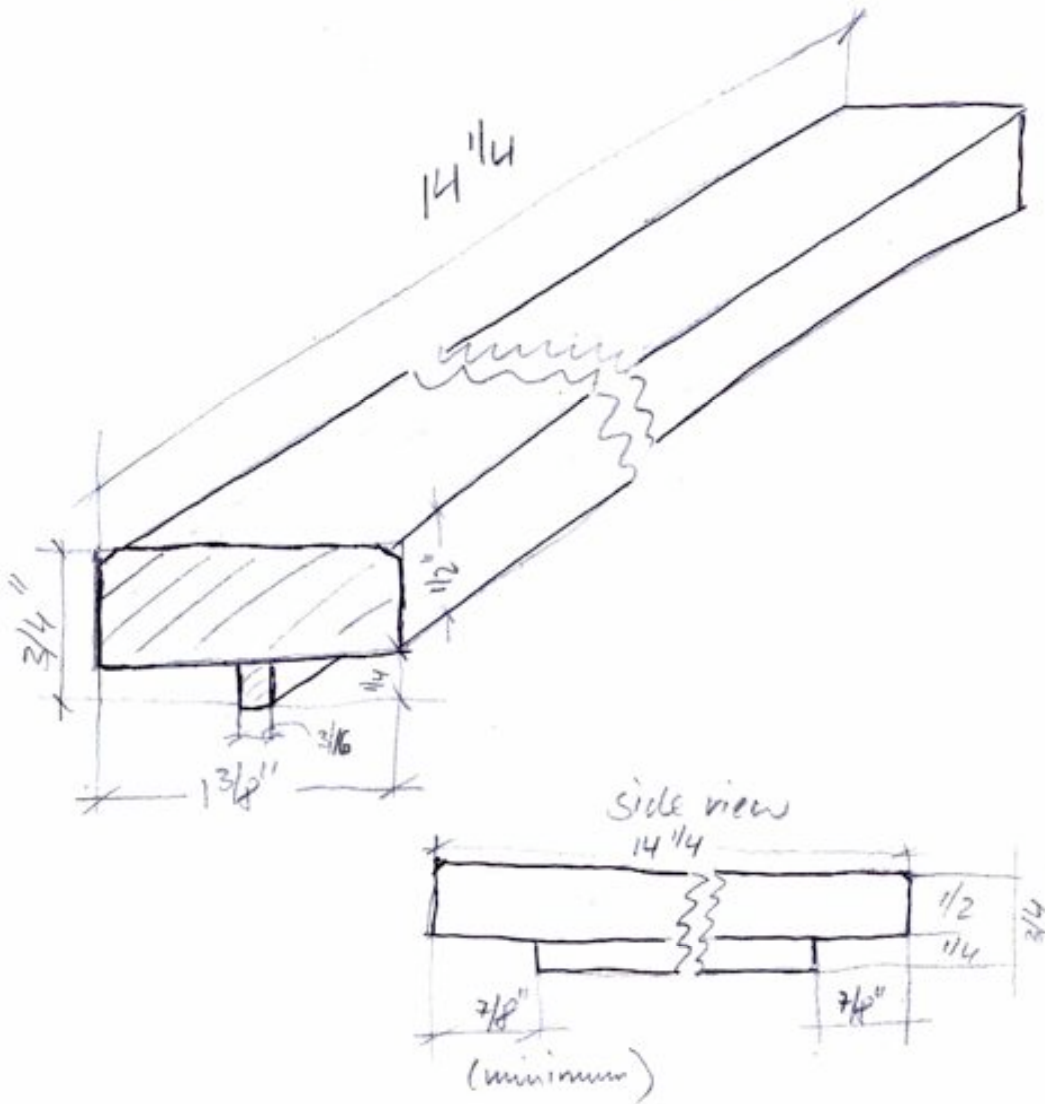


SPECIES

Alder / Poplar / Soft Maple

by Four Elements Design
Carlos Steyer

BACKYARD HIVE TOPBAR

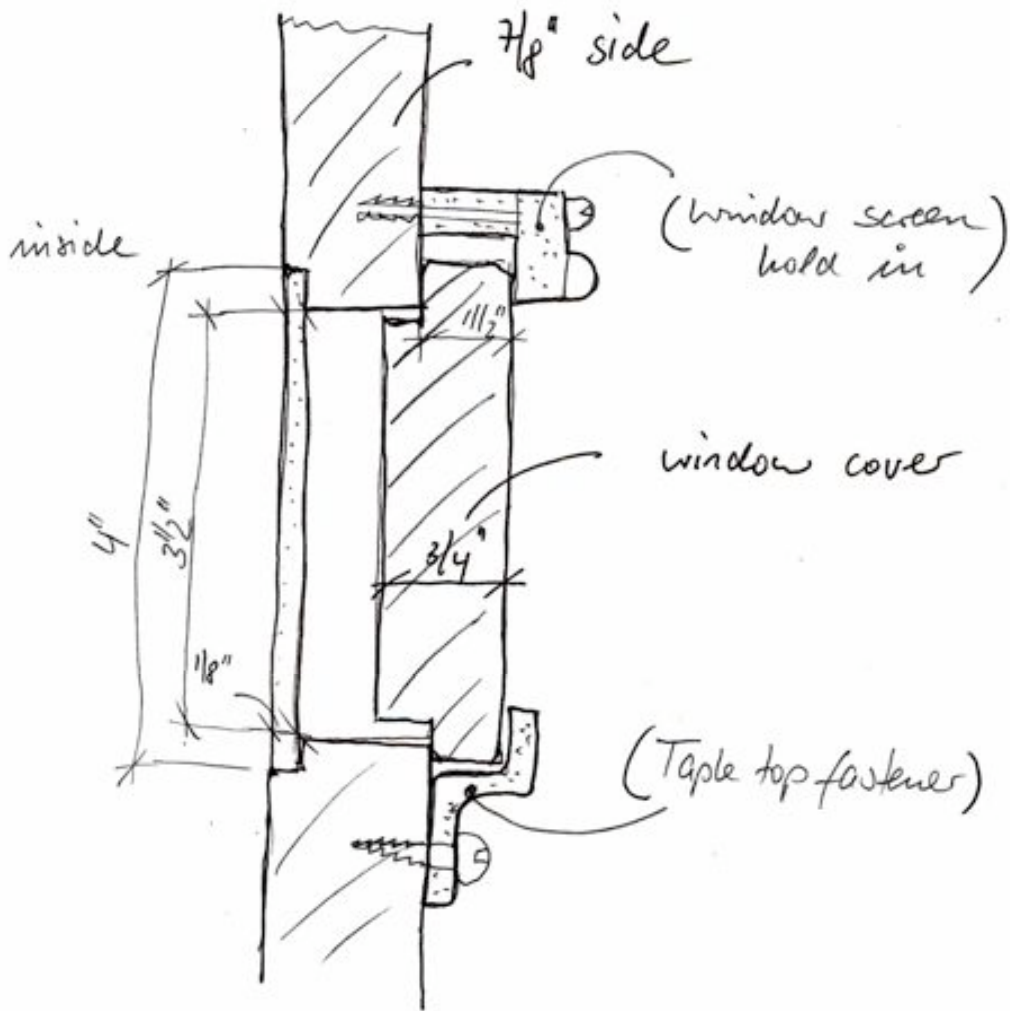


Wood species: Alder / Poplar / Soft Maple

By FOUR ELEMENTS
DESIGN
Carlos Steyer

BACKYARDHIVE

WINDOW DETAIL



by Four Elements Design
Carlos Stege

Material list

2	sides	$36 \times 9 \times \frac{7}{8}$	pine / fir
1	Front	$12\frac{5}{8} \times 8 \times \frac{7}{8}$	pine / fir
1	Back	$12\frac{5}{8} \times 8\frac{1}{2} \times \frac{7}{8}$	pine / fir
1	Bottom	$38 \times 11 \times \frac{3}{4}$	pine / fir
1	window cover	$24.5 \times 4.5 \times \frac{3}{4}$	pine / fir
2	legs	$16 \times 1\frac{1}{2} \times \frac{3}{4}$	pine / fir
2	upper handles	$14\frac{1}{4} \times 1\frac{1}{2} \times \frac{3}{4}$	pine / fir
2	Top sides	$40\frac{1}{2} \times 1\frac{1}{2} \times \frac{3}{4}$	pine / fir
2	Top front+back	$16\frac{1}{2} \times 1\frac{1}{2} \times \frac{3}{4}$	pine / fir
1	top	$40\frac{1}{2} \times 15 \times \frac{5}{8}$	cdx ply
24	top bars	$14\frac{1}{4} \times 1\frac{3}{8} \times \frac{3}{4}$	hardwood
1	false back bar	$14\frac{1}{4} \times \frac{3}{4} \times \frac{3}{4}$	hardwood
1	false back	$12\frac{1}{4} \times 8\frac{1}{2} \times \frac{3}{16}$	plywood
1	window	$24 \times 4 \times \frac{1}{8}$	clear glass
2	window stops		
1	window cover lock		(screen window screen holder)
2	window cover holders		(table top fastener)